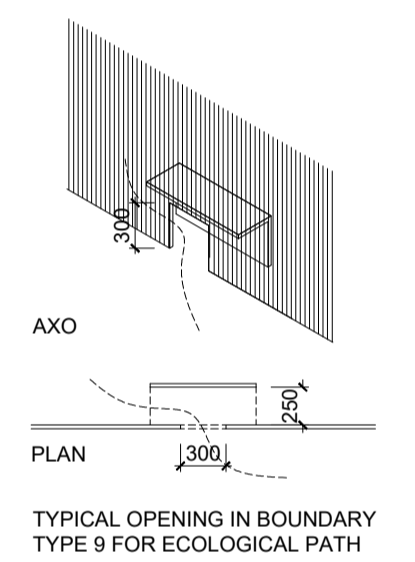
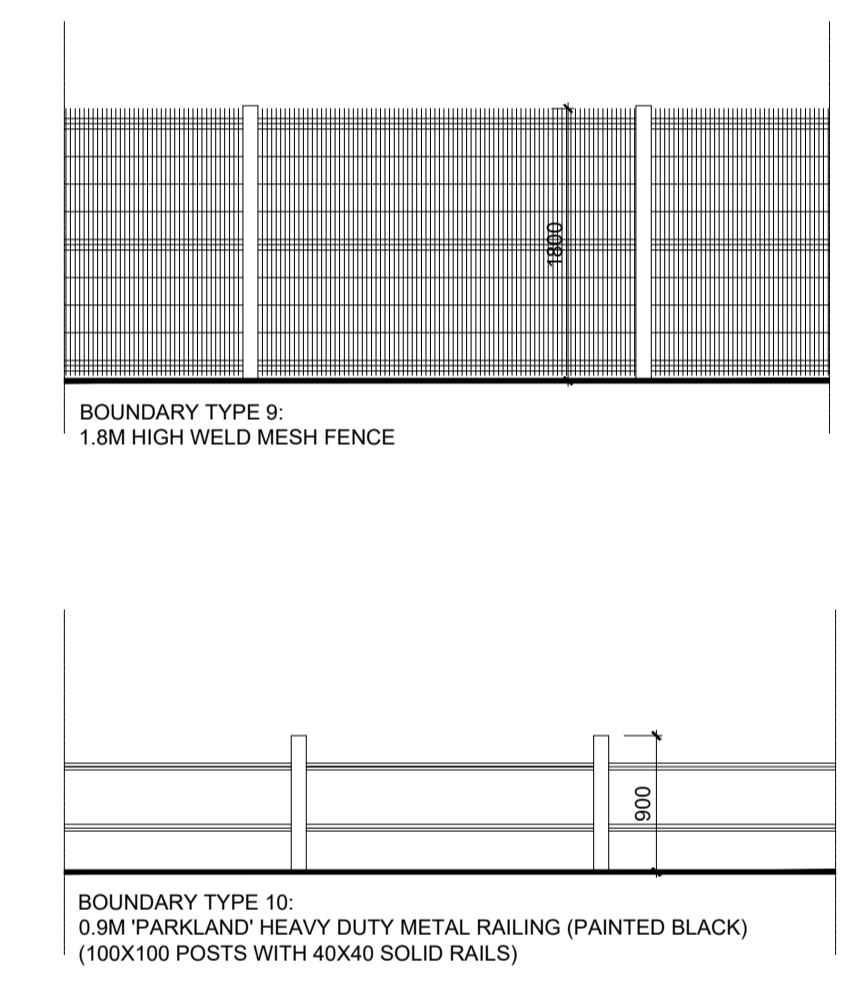
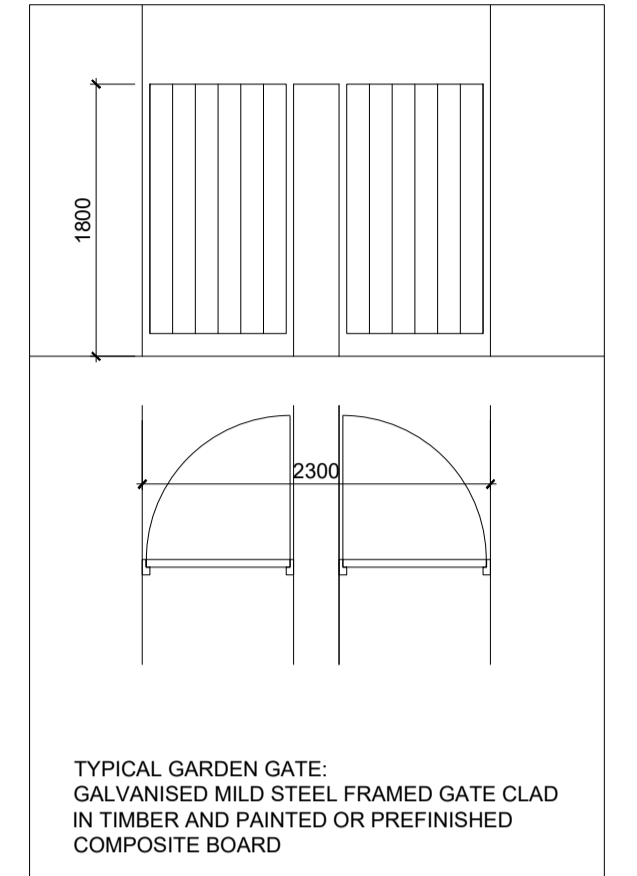
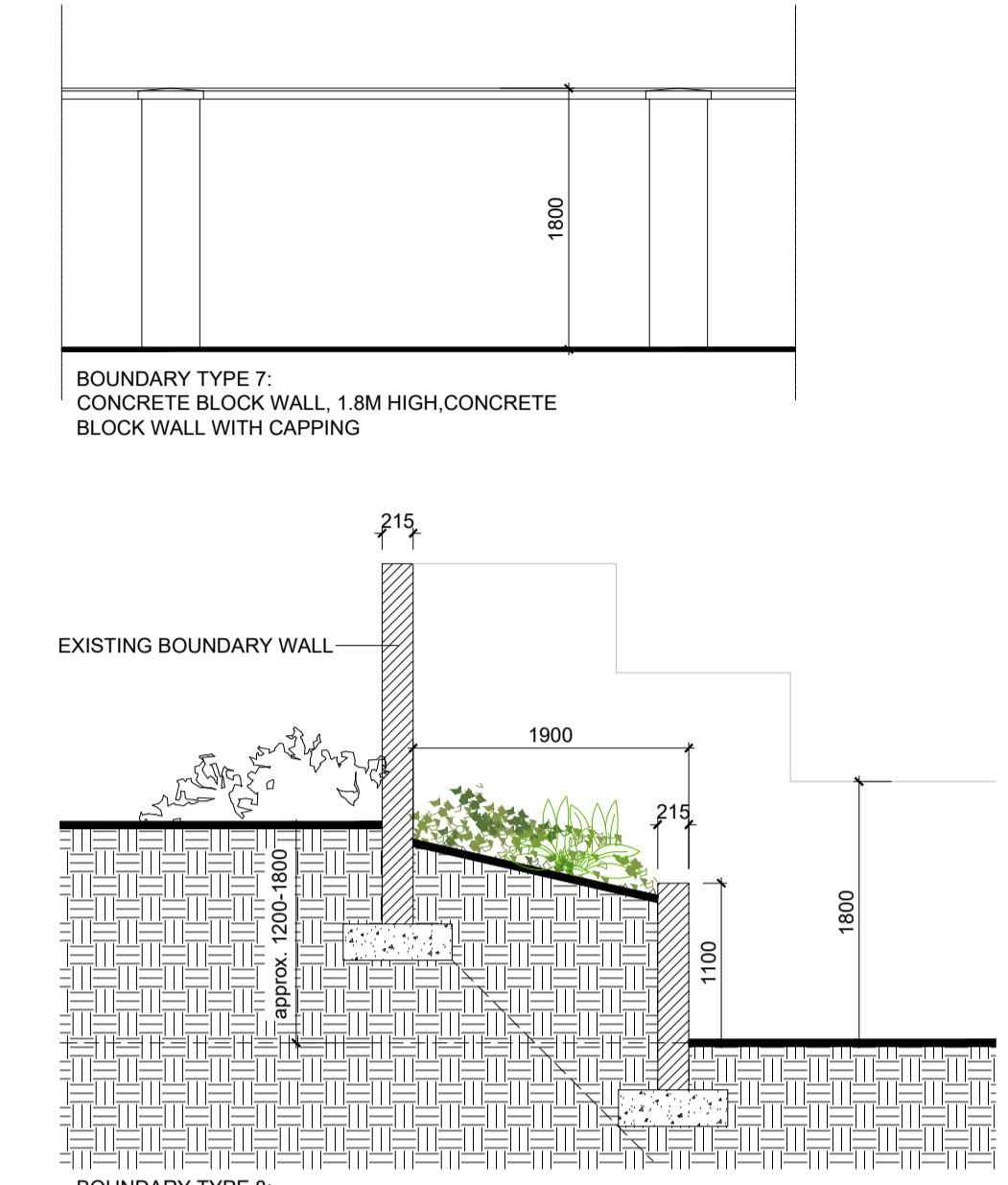
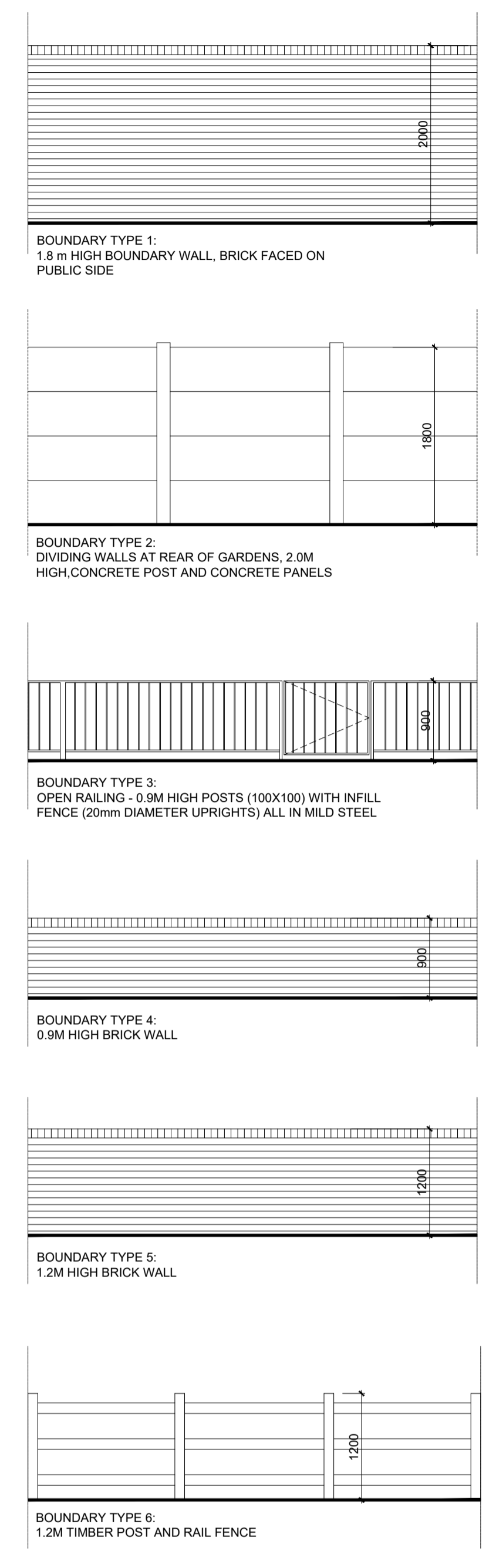
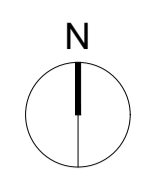


GENERAL NOTES

DO NOT SCALE FROM DRAWINGS. WORK TO FIGURED DIMENSIONS ONLY. ARCHITECT TO BE NOTIFIED OF ANY DISCREPANCIES.

THIS DRAWING TO BE READ IN CONJUNCTION WITH ALL ARCHITECT'S DRAWINGS, SPECIFICATIONS CONSULTANT'S DESIGN TEAM DRAWINGS AND SPECIFICATIONS.



- Boundary Type 1 - 2.0m high wall faced in brick to public side
- Boundary Type 2 - 1.8m high post and panel fence or rendered blockwork
- Boundary Type 3 - 1.2m high metal railing
- Boundary Type 4 - 0.9m high brick wall (brick to both sides)
- Boundary Type 5 - 1.2m high brick wall (to bin stores) (brick to both sides)
- Boundary Type 6 - 1.2m timber post and rail fence (as per Reg Ref 191282)
- Boundary Type 7 - Existing 1.8m high concrete block wall with capping
- Boundary Type 8 - Planting box to existing boundary wall
- Boundary Type 9 - 1.8m high weld mesh fence
- Typical opening in boundary type 9 for Ecological Path
- Boundary Type 10 - 0.9m heavy duty metal rail fence (painted black)

REV	DATE	DESCRIPTION	ISSUED BY

FOR PLANNING

CLIENT: NDFA on behalf of Kildare County Council
 PROJECT TITLE: SHB 4&5 - OCK - Oldtown Mill, Celbridge
 DRAWING TITLE: Boundary Treatment Plan

DRAWN BY:	CHK BY:	SCALE @ A1:	DATE:	REVISION:	JOB NO.:
PD	DL	1:500	11/03/24	-	23004
DRAWING NUMBER: SHB5-OCK-DR-MCO-AR-P3-PL200					STATUS CODE: P3

M'CORM
 ARCHITECTURE AND URBAN DESIGN

No.1 Grantham Street, Dublin 8
 D08 A8Y7 Tel: +353 (0)1 478 8700
 Block 6, Central Business Park
 Tallamore, County Offaly
 R35 F6F8 Tel: +353 (0)57 932 3867
 website: www.mccorm.com
 email: arch@mccorm.com

Figured dimensions only to be used. This drawing is copyright of M'CORM Ltd. All information is shared as per approved use in accordance with I.S. 184:2011 to I.S. EN ISO 19650-2:2018. If Status Code above is empty, this information has been shared as Status Code 50 - Work in Progress (WIP) / Draft.